

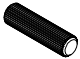
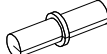


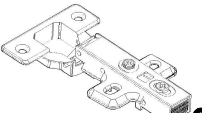


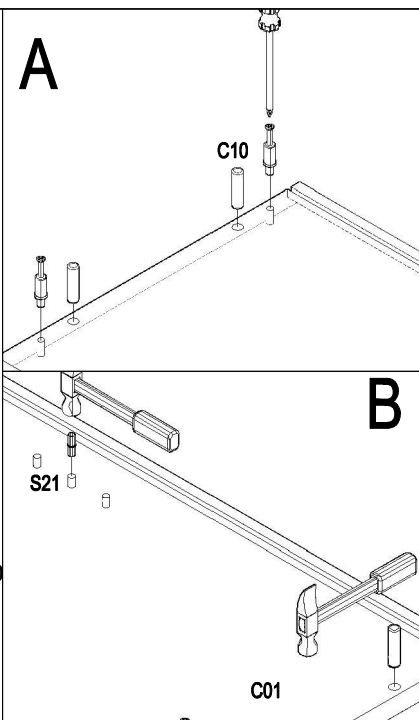
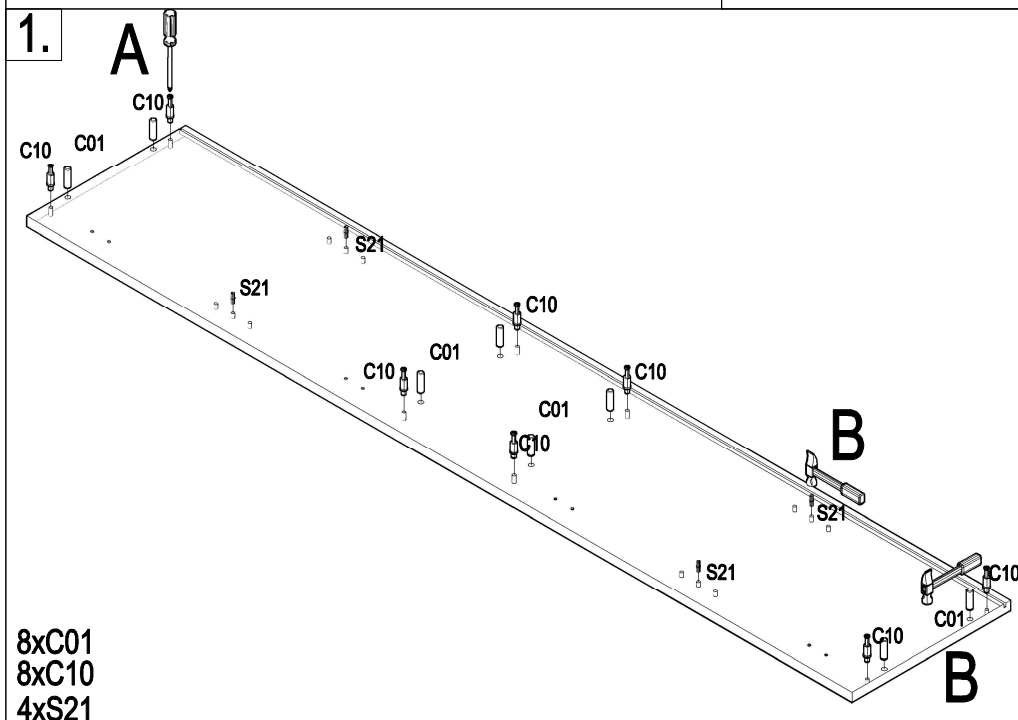
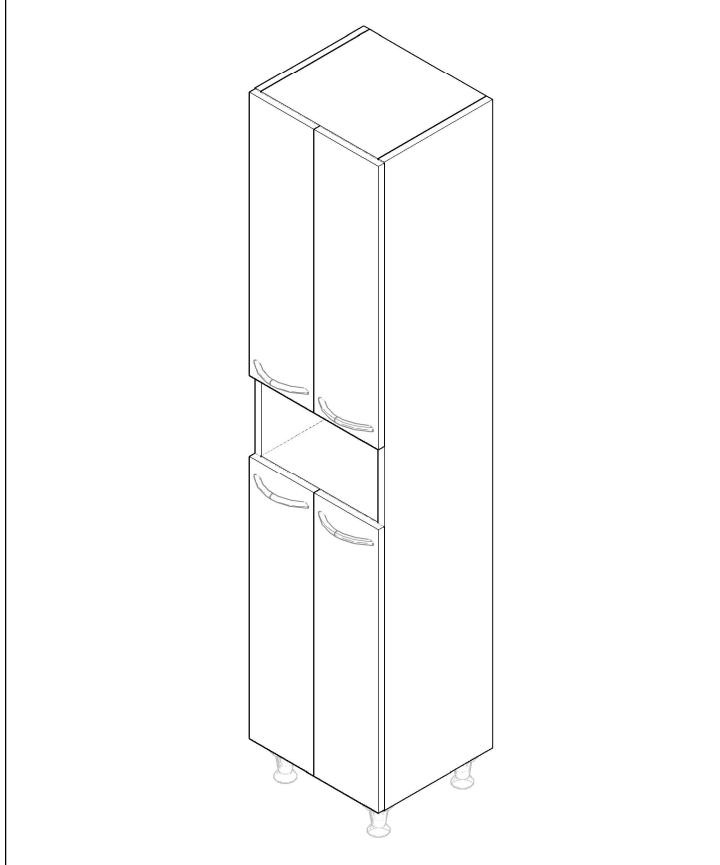
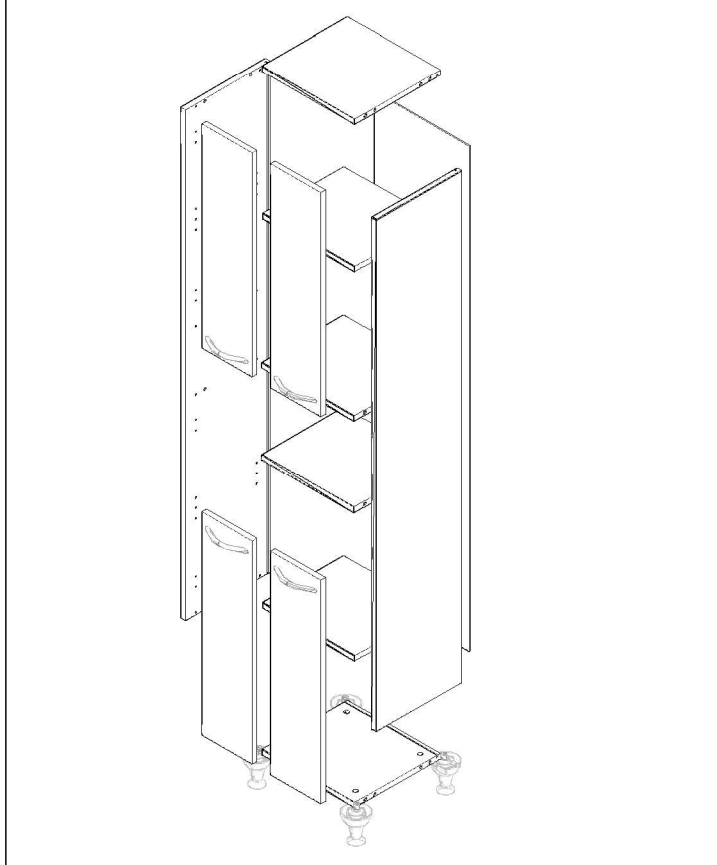
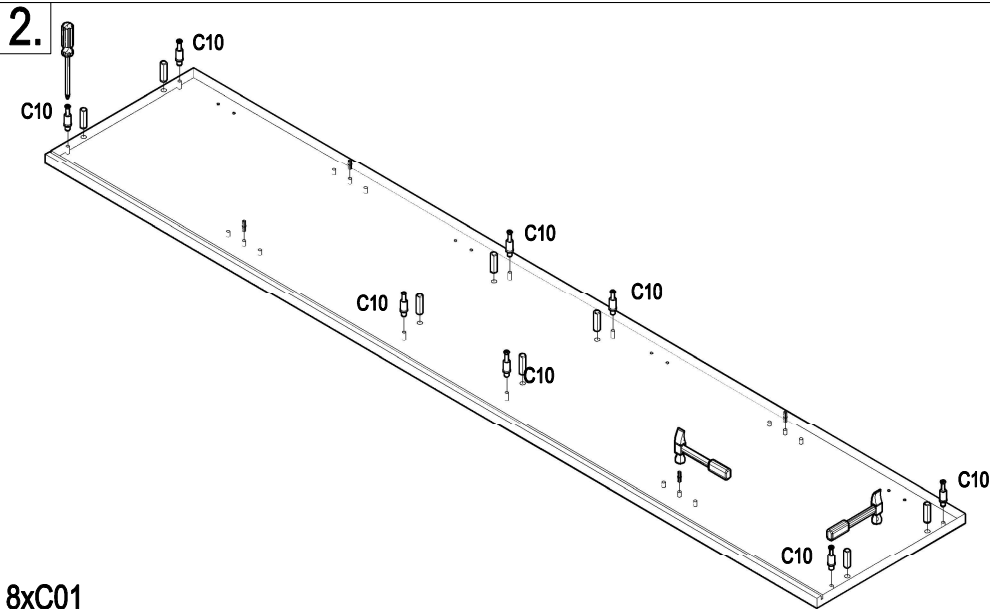


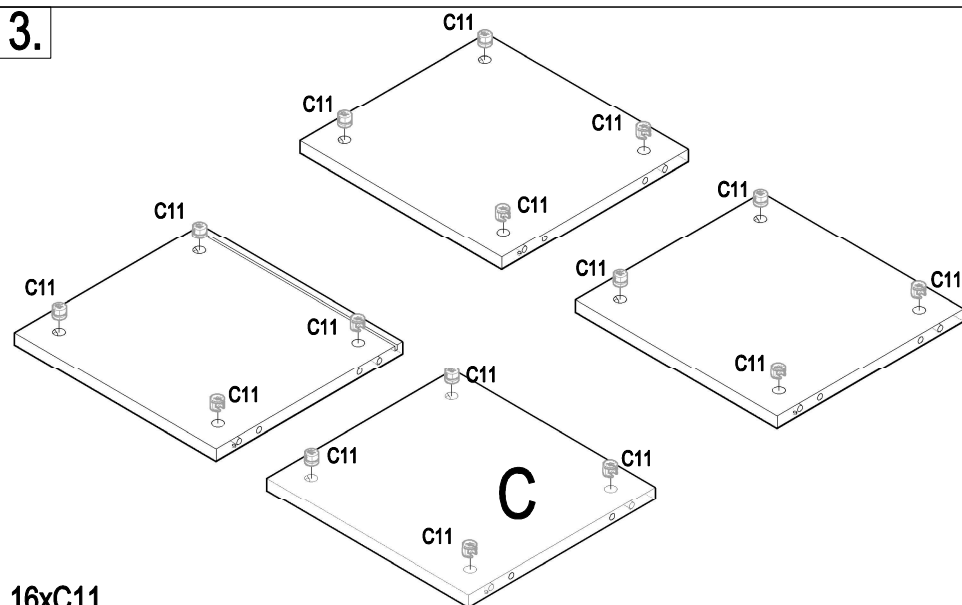
NR.6

 3.5x16 S02	 M4x22 S11	 C01	 S21	 C10	 C11
x60	x8	x16	x8	x16	x16
 B01	 M01	 P02			
x8	x4	x4			

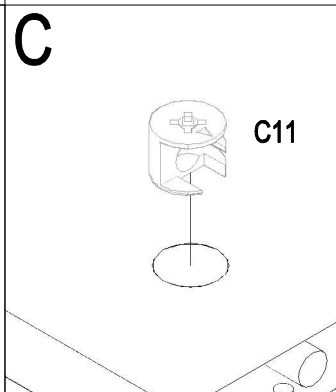




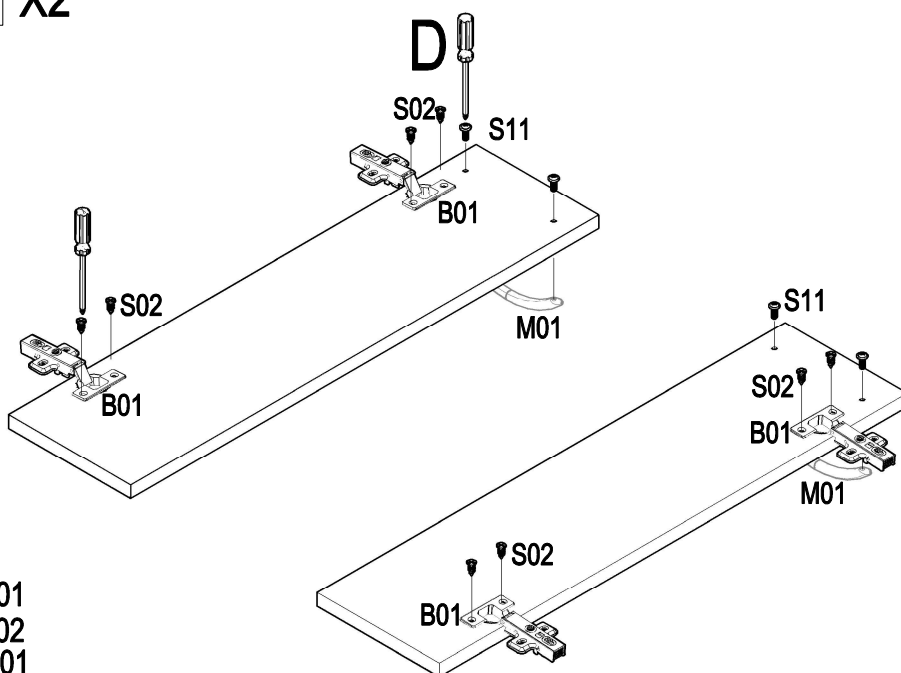
8xC01
8xC10
4xS21



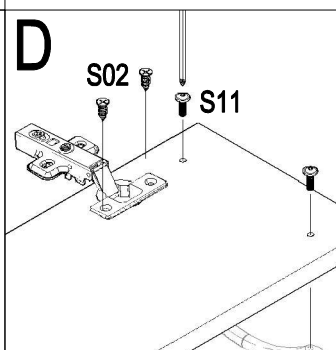
16xC11



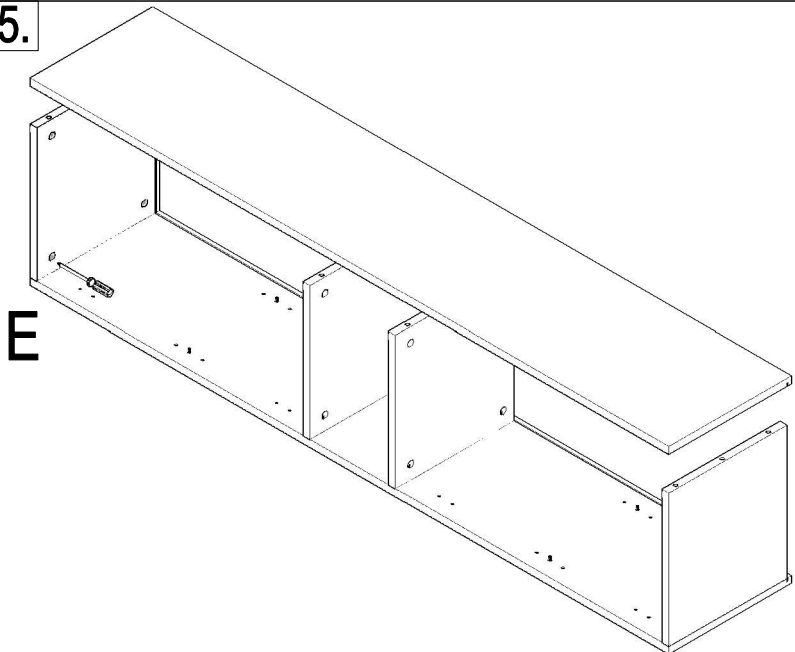
4. X2



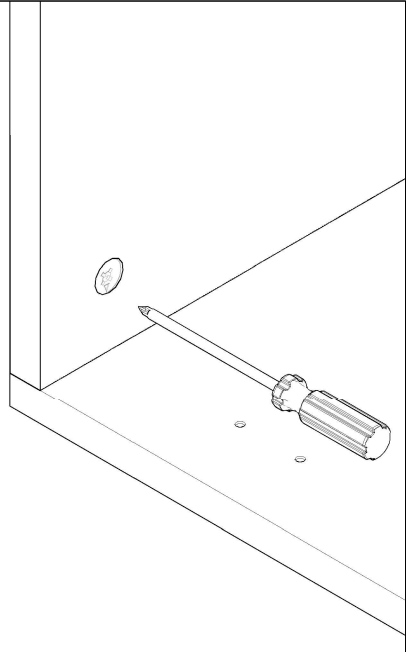
4xB01
8xS02
2xM01
4xS11



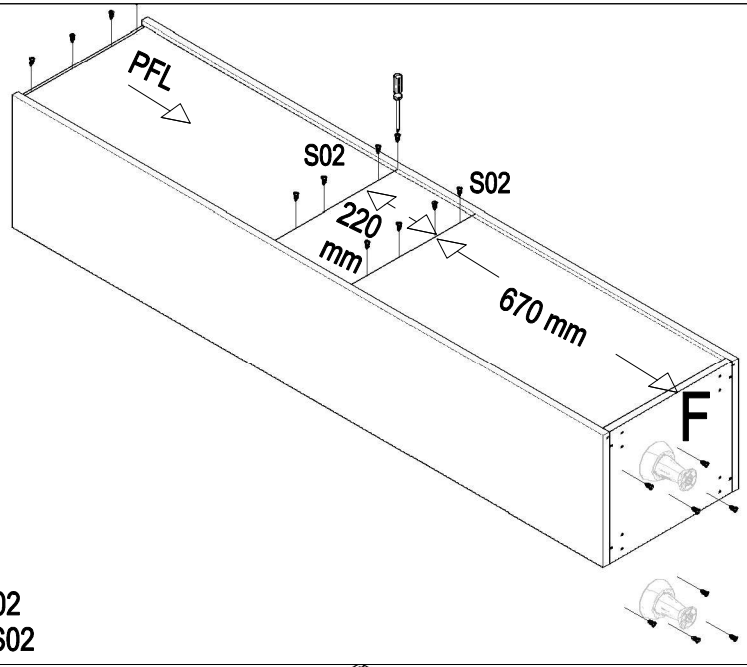
5.



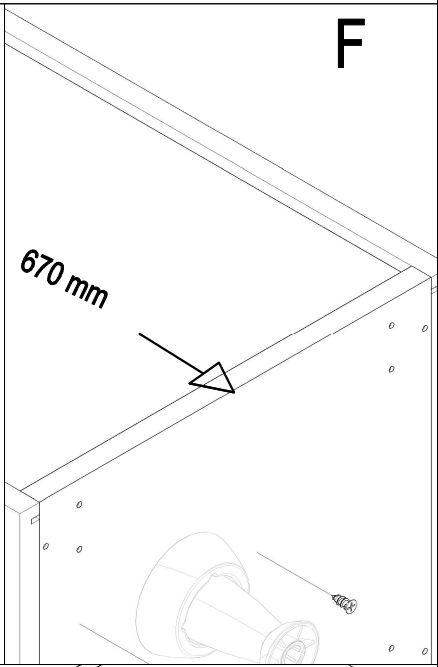
E



6.

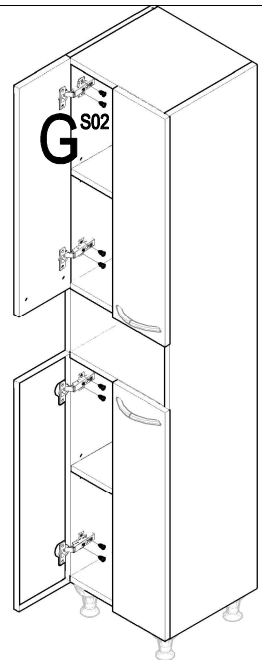


F

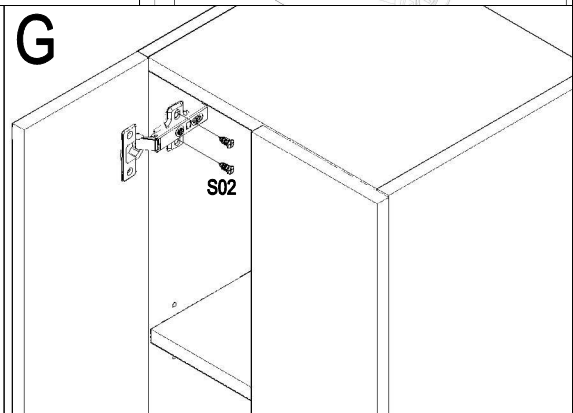


4xP02
28xS02

7.



G



16xS02